

## G2100 Cabinet Lock

### Features

- For drawer and cabinet door application
- 12 key changes available
- Keys can be shared with other **2100 Lock Series**
- Cylinder and ring can be made with polished finish on request

### Parts Included

- Countersunk head wood screw 3.1×20, 2.1×10 (SUS)

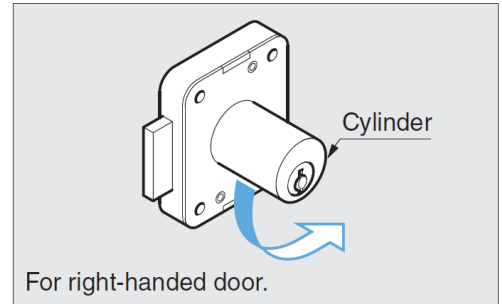
### Optional Parts

- Spacer **GTSSP**

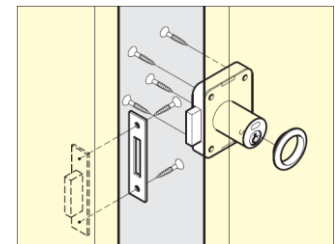
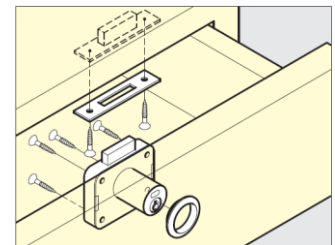
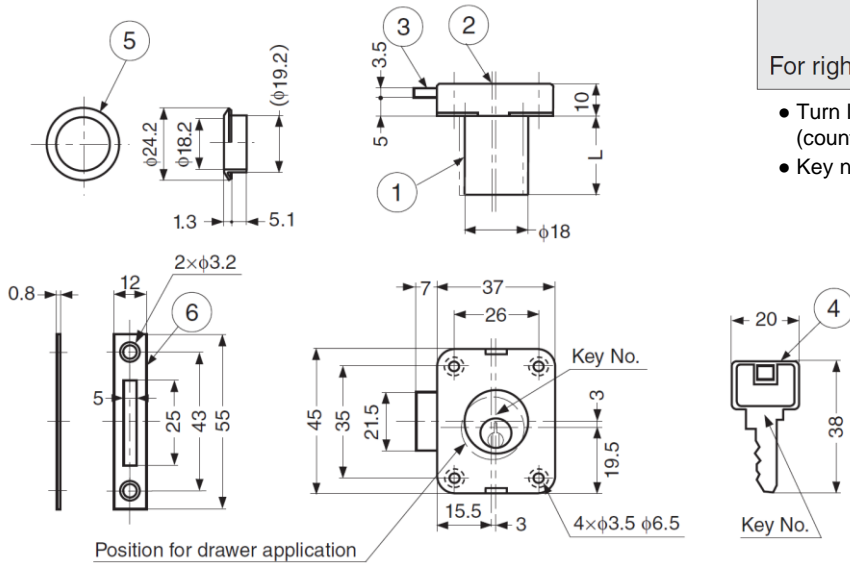


### How to Switch:

#### For Drawer / Right Handed Door Application



- Turn lock cylinder 90° (counter clockwise for drawer)
- Key no. is to be forwarded upside



No.	Part Name	Material	Finish
①	Cylinder	Brass	Satin Nickel
②	Body	Brass	Nickel
③	Dead Bolt	Brass	Nickel
④	Key	Brass	Nickel
⑤	Ring	Brass	Satin Nickel
⑥	Strike	Stainless Steel (SUS304)	Plain

Part No.	Key Type	Cylinder Diameter	Door Thickness	L
<b>G2100-24-B</b>	Keyed Differently	Ø 18	24	24
<b>G2100-24-D</b>	Keyed Alike			
<b>G2100-30-B</b>	Keyed Differently		30	30
<b>G2100-30-D</b>	Keyed Alike			